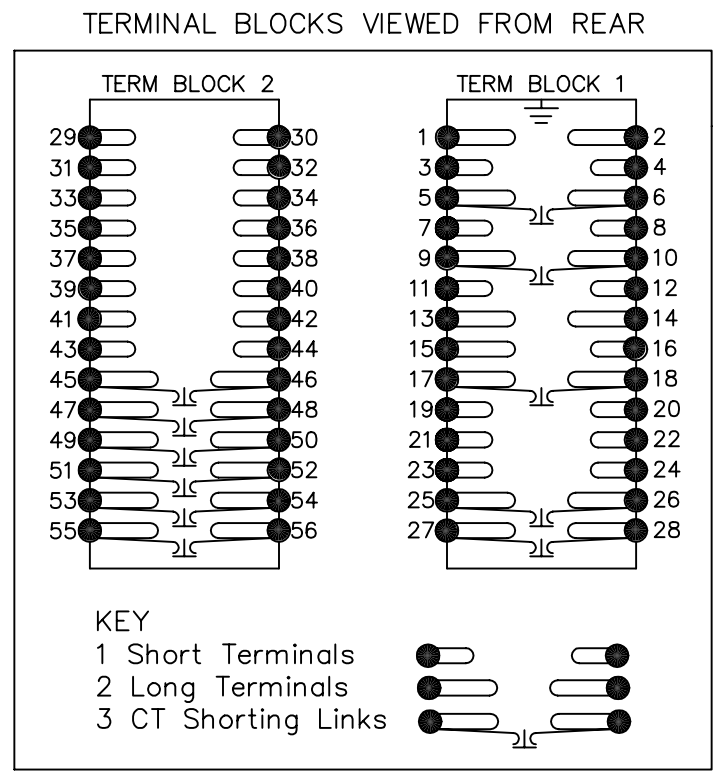
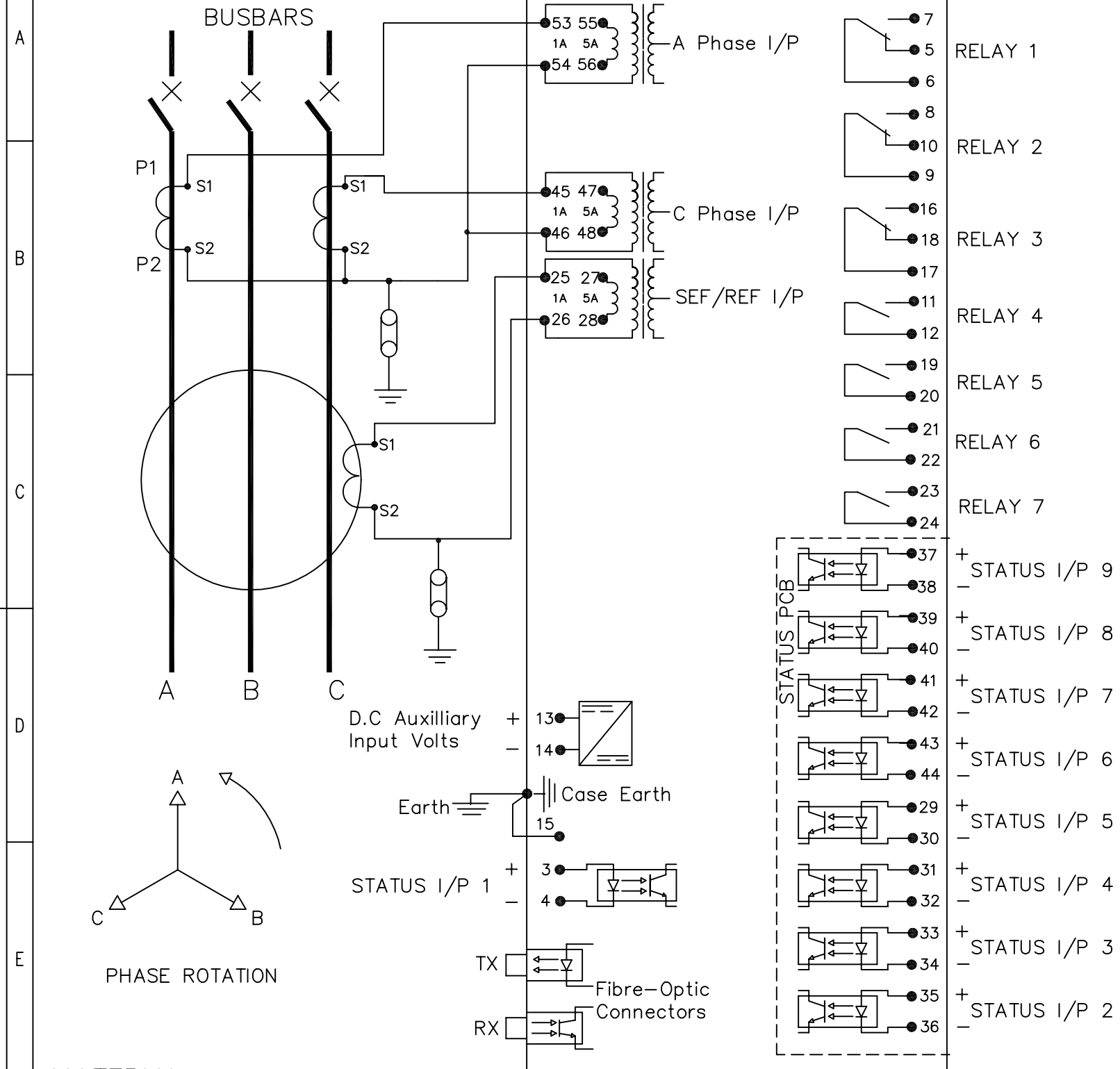


IF IN DOUBT ASK
DO NOT SCALE



NOTES

- 1 CT CIRCUITS ARE SHOWN CONNECTED TO RELAY 1 AMP TAP. USE ALTERNATIVE TAP FOR 5AMP RATED CTs.
- 2 CT & EARTH CONNECTIONS ARE TYPICAL ONLY.
- 3 METROSIL & SETTING RESISTORS ARE REQUIRED FOR HIGH IMPEDANCE & RESTRICTED EARTH FAULT APPLICATIONS.
- 4 FOR TERMINAL DIAGRAM SEE 2434W50001 (A2)
- 5 DRG SHOWS OPTION C (7 OUTPUTS, 9 INPUTS).

**NOT SUBJECT TO UPDATE
ONCE COPIED / PRINTED
OR DOWNLOADED**

<p>MATERIAL:</p> <p>Dimensions in millimetres : Surface texture in micrometres. Machine where marked ✓ For explanation of dimensions, tolerances, notes etc. see B.S.308. Limit on untoleranced unmachined dimensions ± _____ Limits on untoleranced machined dimensions to B.S.4500; i.e. up to 6±0.1; over 30 to 120±0.3; over 315±0.8; over 6 to 30±0.2; over 120 to 315±0.5; General unmachined angular tolerance ± _____</p>		<p>Finish: _____</p> <p>Treatment: _____</p>		<p>Title: TYPICAL SCHEMATIC DIAGRAM FOR 2 PHASE + SEF/REF NUMERIC OVERCURRENT PROTECTION (ARGUS 1) EPSILON</p> <p>Reyrolle Protection Hebburn.</p>			<p>Original Scale: NTS</p>		<p>First used on: _____</p> <p>Similar Articles: 2434W10032</p> <p>Supersedes: _____</p> <p>Dr. No. 2434W10056</p>		
<p>DRAWN M LEASK</p>	<p>CHECKED _____</p>	<p>APPROVED R.D.WATSON</p>	<p>DATE 23/07/02</p>	<p>IE _____</p>	<p>OPS _____</p>	<p>PCP _____</p>	<p>Purch.Spec. TQ _____</p>	<p>EAC _____</p>	<p>CE _____</p>	<p>STD _____</p>	<p>A3 _____</p>

Copyright © 1999 Reyrolle Ltd. ISSUE 2 18/4/02 MN434/2292